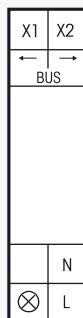


## FLUD14



### Capacity enhancer for universal dimmer switch FUD14/800W, Power MOSFET up to 400W. Standby loss 0.1 watt only.

Modular device for DIN EN 60715 TH35 rail mounting.  
1 module = 18 mm wide, 58 mm deep.

Capacity enhancers FLUD14 can be connected to the universal dimming actuator FUD14/800W. By this the switching capacity **for one lamp** will be increased up to 200W or alternatively **for additional lamps** up to 400W per each capacity enhancer.

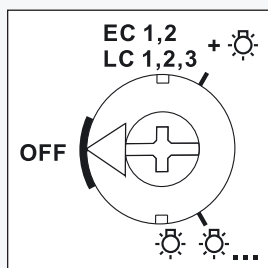
The two circuits to increase capacity can be created at the same time using several FLUD14s. Supply voltage 230V. No minimum load.

Automatic electronic overload protection and over-temperature switch-off.

The lamp type of a capacity enhancer FLUD14 in the 'Capacity increase with additional lamps' may deviate from the lamp type of the universal dimmer switch FUD14/800W.

**It is therefore possible to mix capacitive and inductive loads.**

### Function rotary switch

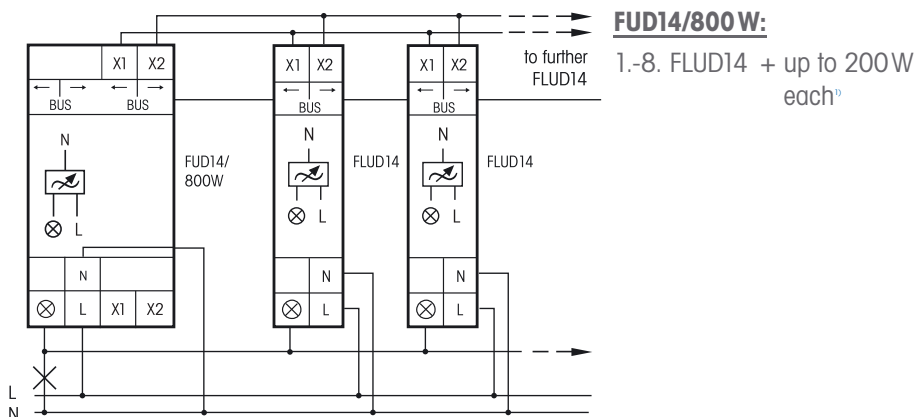


Standard setting ex factory.

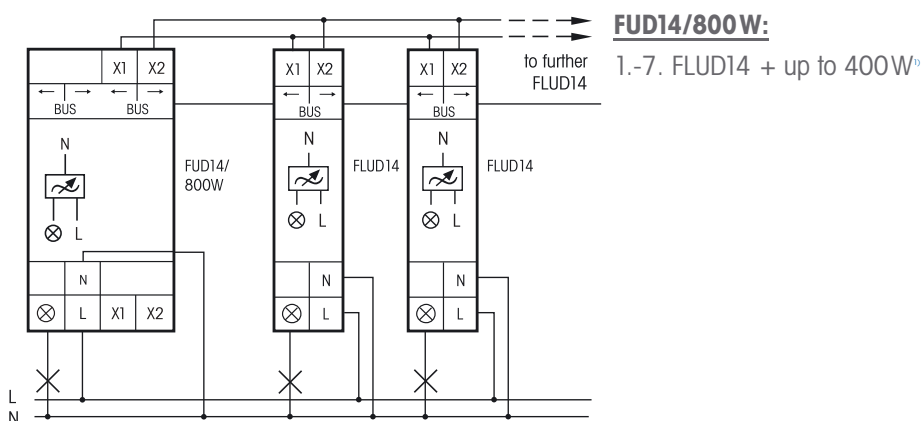
The switching mode "one lamp" (⦿) or "additional lamps" (⦿⦿) is set with a rotary switch on the front.

**This setting must be same as the actual installation, otherwise there is a risk of destruction of the electronics.**

### Capacity increase for a lamp (⦿) in dimmer switch operating modes AUTO, LC4, LC5 and LC6. For operating modes EC1, 2 and LC1, 2, 3, see next page.



### Capacity increase for additional lamps (⦿⦿) in dimmer switch operating modes AUTO, LC4, LC5 and LC6. For operating modes EC1, 2 and LC1, 2, 3, see next page.



<sup>\*)</sup> Ventilation clearance of 1/2 module to adjacent devices must be maintained.

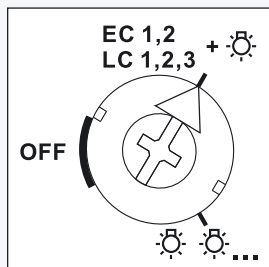
Housing for operating instructions GBA14 page 1-49.

# Capacity Enhancer FLUD14 for Universal Dimmer Switch FUD14/800W

1-20

**This setting must be made on the front panel for ESL and 230 V LED lamps if the FUD14/800W is operated in comfort settings EC1, EC2, LC1, LC2 or LC3.**

## Function rotary switch

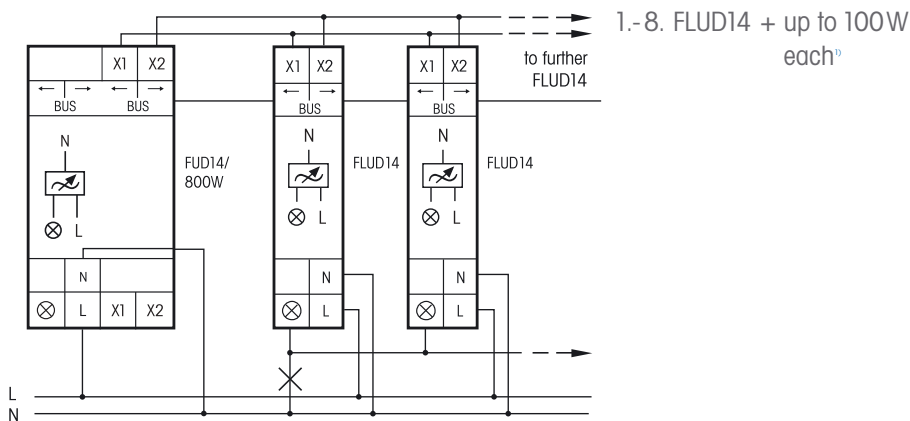


Capacity increase with capacity enhancers FLUD14 for dimmable energy saving lamps ESL and dimmable 230V LED lamps in comfort settings EC1, EC2, LC1, LC2 and LC3.

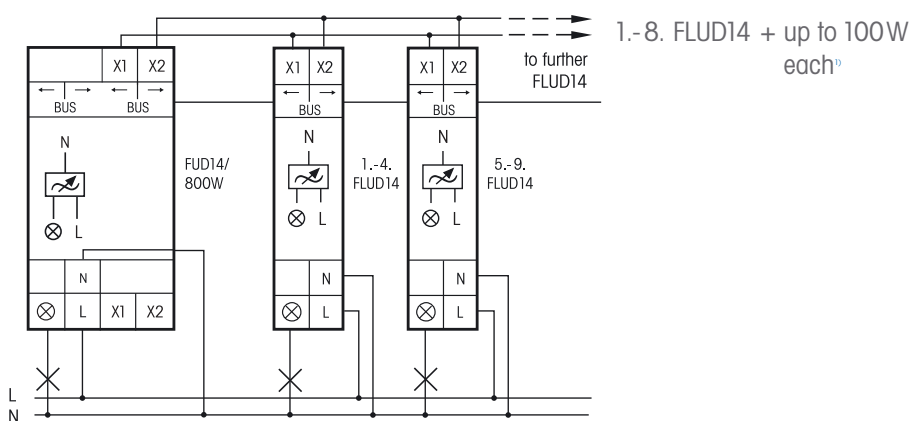
**Also for capacity increase with additional lamps.**

**Otherwise there is a risk of destruction of the electronics.**

## Capacity increase of a lamp in settings EC1, 2 and LC1, 2, 3



## Capacity increase with additional lamps in settings EC1, 2 and LC1, 2, 3.



» Ventilation clearance of 1/2 module to adjacent devices must be maintained.

Housing for operating instructions GBA14 page 1-49.

**FLUD14**

Capacity enhancer

EAN 4010312313763

Recommended retail prices excluding VAT.